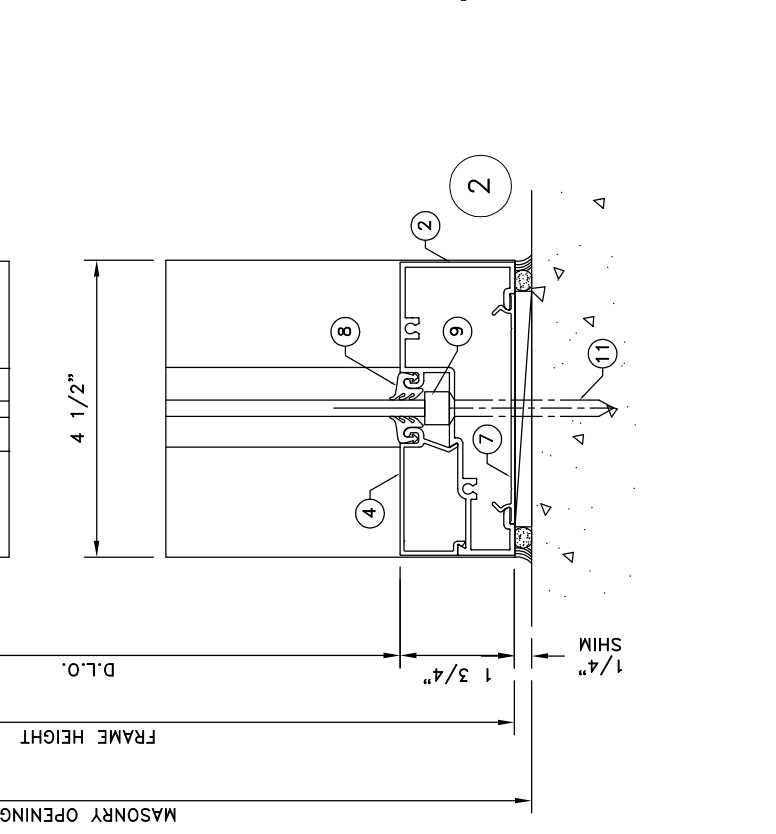
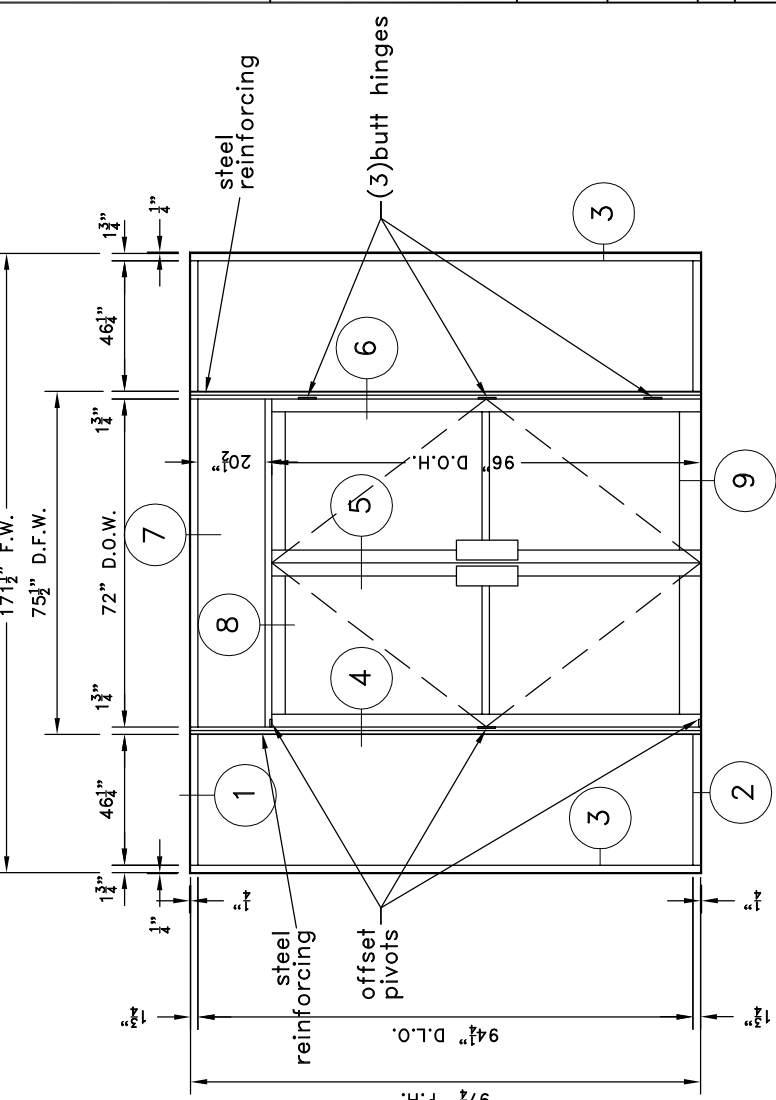
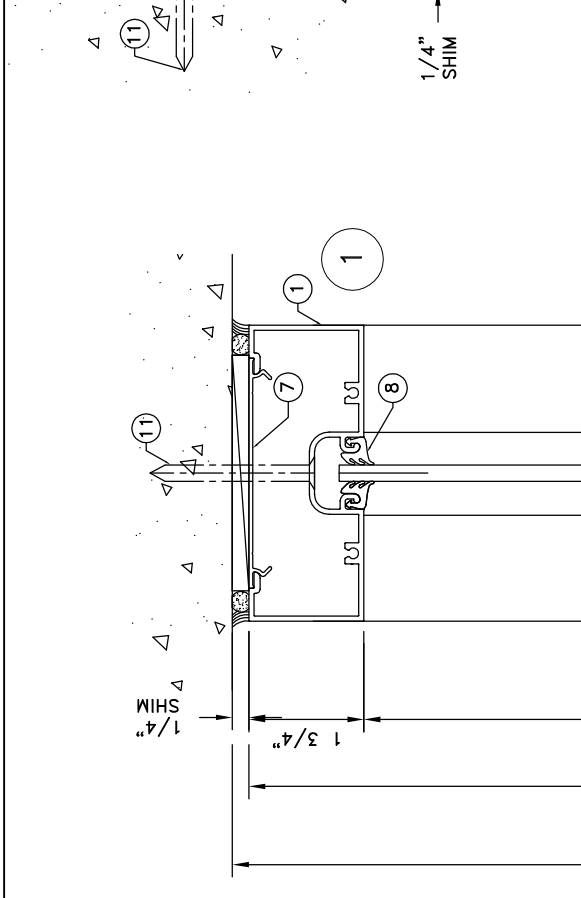
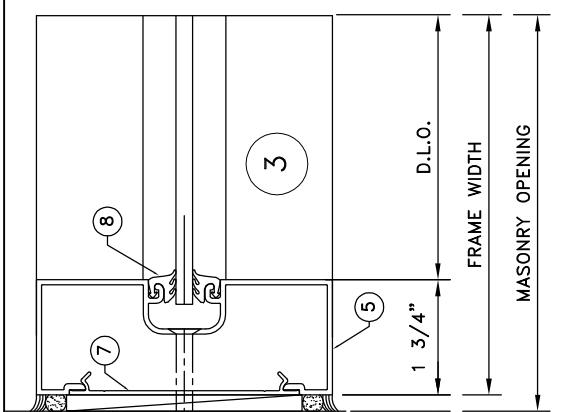


ITEM	PART	DESCRIPTION	ITEM	PART	DESCRIPTION
1	BCE-5451	HEAD	13	BCE-460	DOOR STOP
2	BCE-5457	SILL	14	DLD-33	TOP RAIL
3	BCE-5458	HORIZONTAL	15	DLD-6	GLASS STOP
4	BCE-459	GLASS STOP	16	---	GLAZING VINYL
5	BCE-5450	JAMB/VERT	17	DLD-33	BOTTOM RAIL
6	BCE-5430	POCKET FILLER	18	BCE-3340	THRESHOLD
7	BCE-475	FLAT FILLER	19	BCE-3315	BEVELED STILE
8	---	GLAZING VINYL	20	BCE-3317	FIX STILE
9	---	SETTING BLOCKS	21	BCE-3316	LOCK STILE
10	---	#10 X 1-1/4" 2 CORNERS	22	DLD-10	BULB
11	---	ANCHOR SCREWS 1/4" X 1 1/4" EMBED INTO CONC	23	---	WHEATHERSTRIPPING
12	---	STEEL REINFORCING 13/16" X 4 3/8" X 13/16" X 120" LG	24	---	OFFSET PIVOTS
			25	BCE-452	BUTT HINGES
			26	222H-36	FRAME MULLION
			27	2508-105	3-POINT LOCK
					FLUSHBOLT ROD

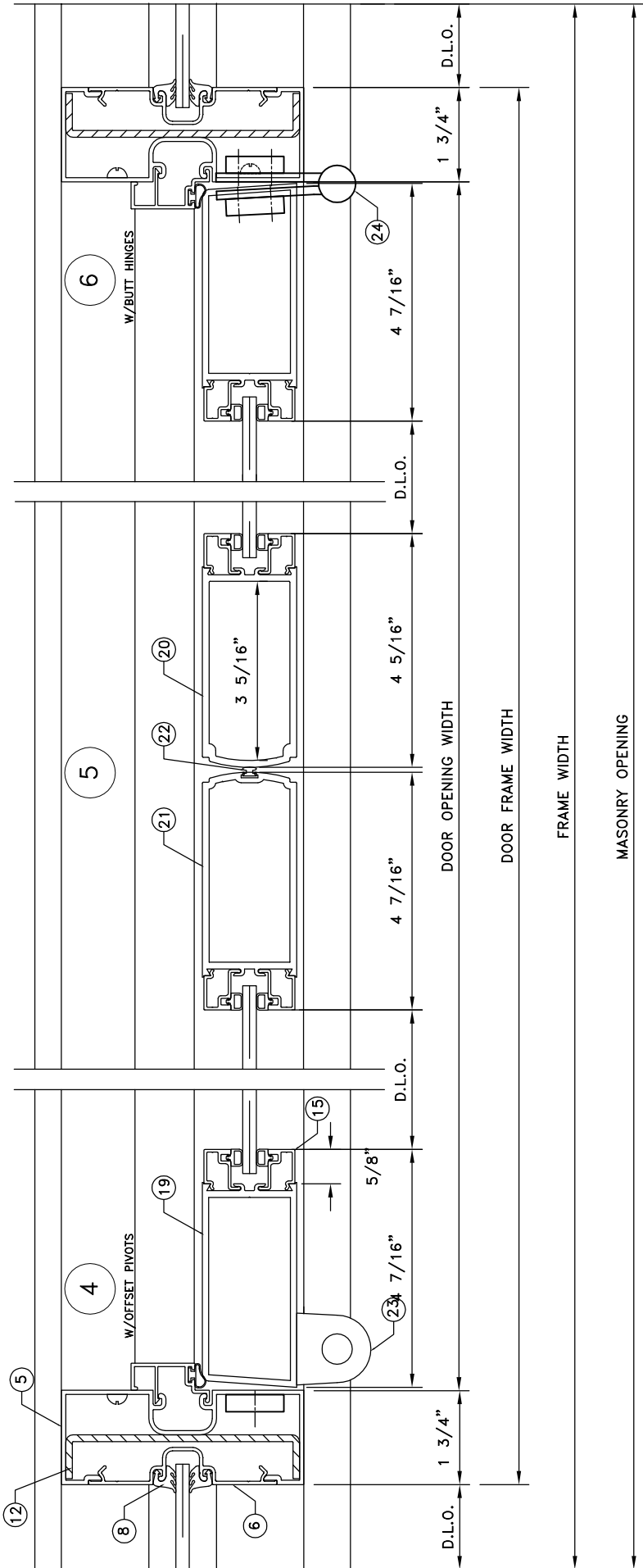


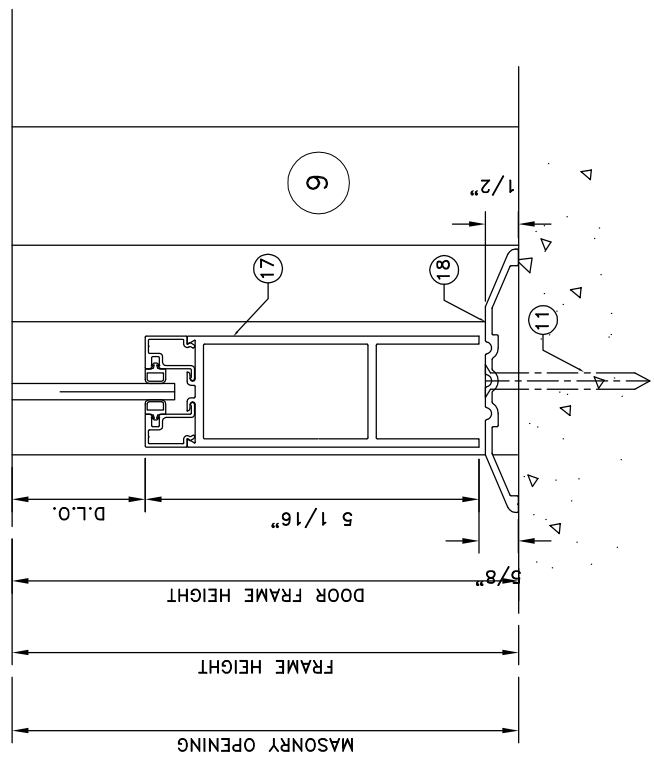
APPROVED BY:	RES	DATE:	06-27-03
DRAWN BY:	RES	DATE:	06-27-03
DRAWING DISCIPLINE:		***	
PROJECT NO:		DD-450-3	
SHEET NO.:		5 OF 8	

DELTA DOORS MFG.  
 A DIVISION OF  
**VIDCO**  
 ALUMINUM INDUSTRIES  
 MIAMI, FL 33166-2542

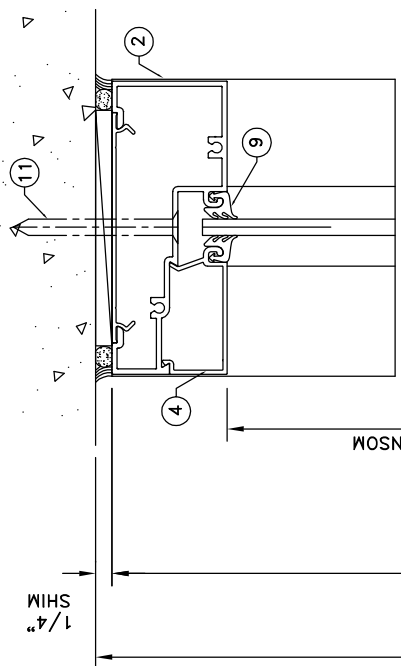
MEDIUM-STILE-DOORS  
 NON-IMPACT-SYSTEM

REVISION





7



8

